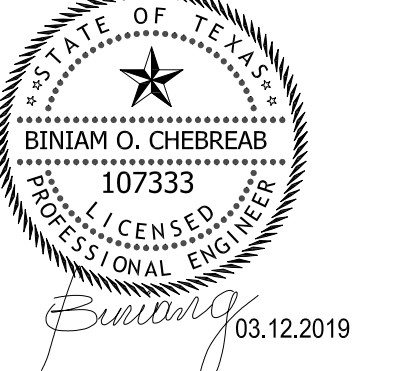
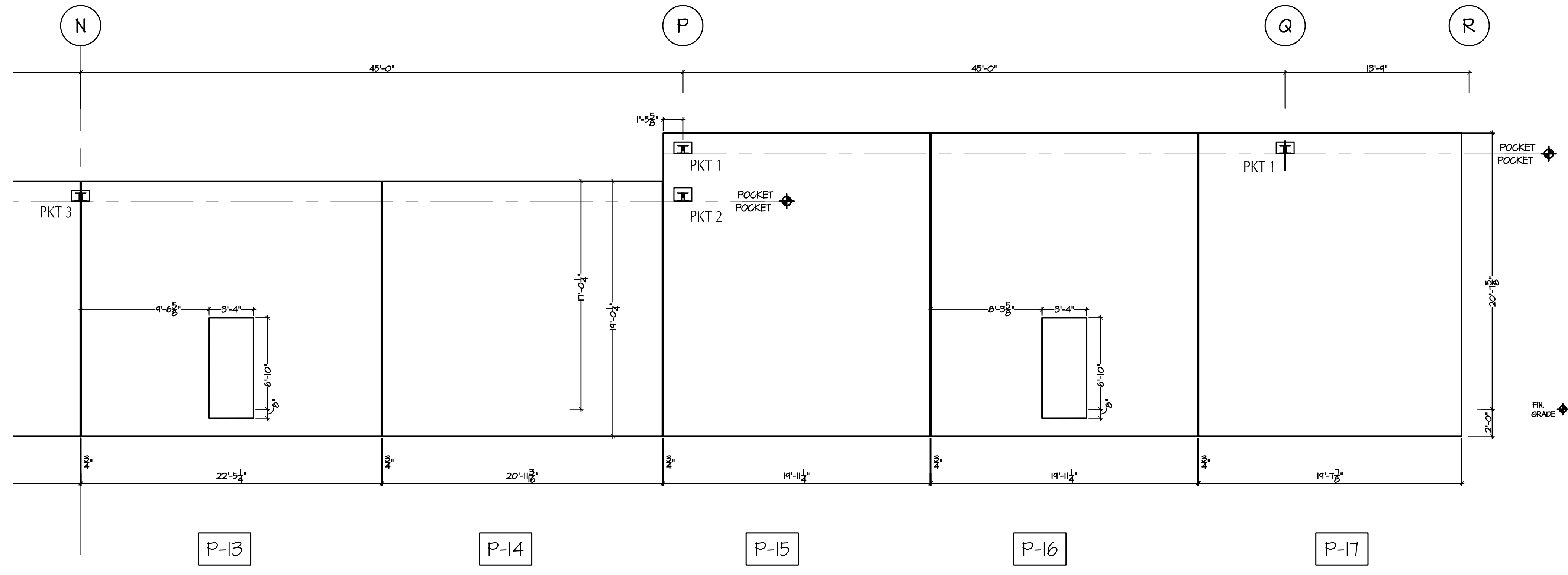
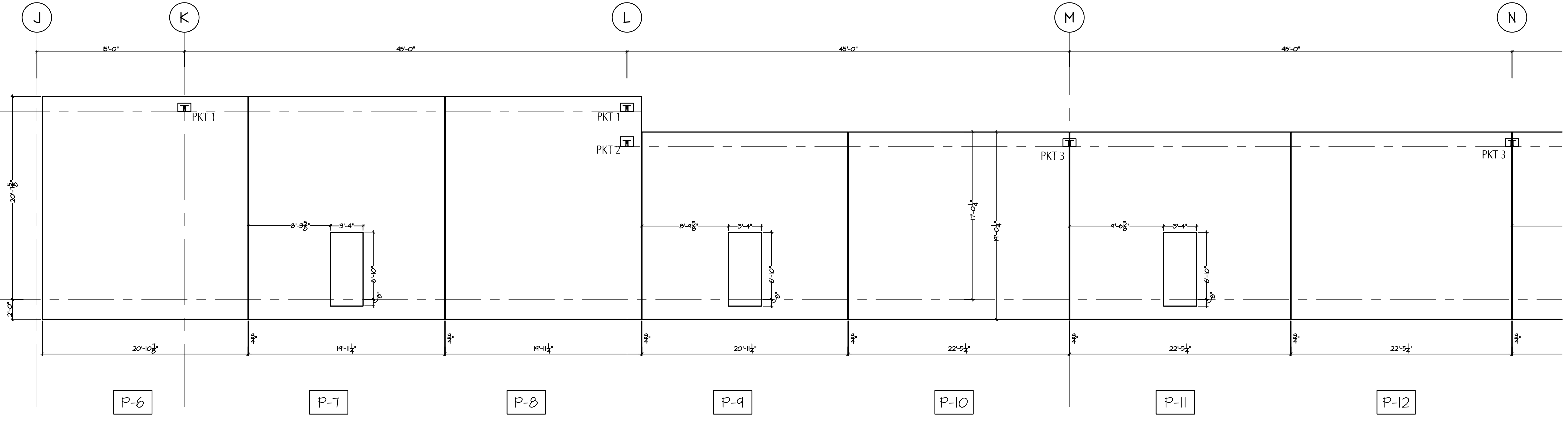
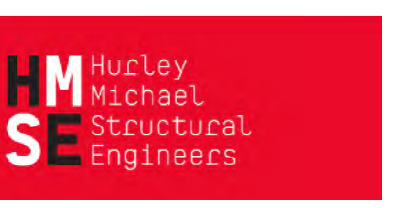


COPYRIGHT © GOULAS + ASSOCIATES, INC. ALL DRAWINGS, SPECIFICATIONS AND DESIGNS APPEARING HEREIN CONSTITUTE THE ORIGINAL AND UNPUBLISHED WORK OF THE ARCHITECT, DESIGNER AND HIS/HER ASSOCIATES, AND THE SAME MAY NOT BE DUPLICATED, USED OR DISCLOSED WITHOUT THE EXPRESS WRITTEN CONSENT OF THE ARCHITECT/DESIGNER.



Project Information:

Consultants:



**SHOPS ON GOSLING
 RETAIL CENTER
 SHELL BUILDING DEVELOPMENT
 24909 GOSLING ROAD
 SPRING, TEXAS 77389**

Sheet Title:

**P/C PANEL
 ELEVATIONS**

Issue:

CD/PERMIT
Issue Date:

12 MARCH 2019

Revision Date:

Sheet:

S5.0